



QUANTUM i7 1255U

FANLESS IPC

- Intel® Core™ 12th Processor (i7-1255U)
- 1x DDR4 3200 MHz up to 32GB RAM
- 12V, DC-in w/ 220VAC Power Adapter
- 4x USB 3.1 + 2x USB 2.0
- 2x COM (RS232)
- 2x Gigabit Ethernet LAN
- WIFI and/or 4G/5G connectivity (Optional)
- 2x 4K Video interface (2x HDMI)



MAINBOARD

CPU: Intel® Core™ i7-1255U
10 Core / 12 Thread
3.5 GHz (Base) / 4.7 GHz (Turbo) 15W

MEMORY

Capacity: up to 32GB
Frequency: 3200 MHz
Type: 1x SO-DIMM DDR4

STORAGE

SATA: 1x SATA3
M.2: 1x M.2 M-Key (2280, NVMe)
Storage Bay: 1x Internal 2.5" SSD Bay

I/O INTERFACE

Serial ports: 2x COM RS232
USB ports: 3x USB 3.1, 3x USB 2.0,
mPCIe: 1x Mini-PCIe Slot (WIFI)
M.2: 1x M.2 B-Key Slot (3052, 4G/5G)
SIM: 1x SIM Slot (MicroSIM)
AUDIO: 1x Line-out Combo Jack

VIDEO

GPU: Intel® UHD Graphics
Interface: 2x HDMI 1.4 (Up to 4096x2160 @60Hz)

ETHERNET

LAN: 2x Realtek 8111H Gigabit LAN

POWER

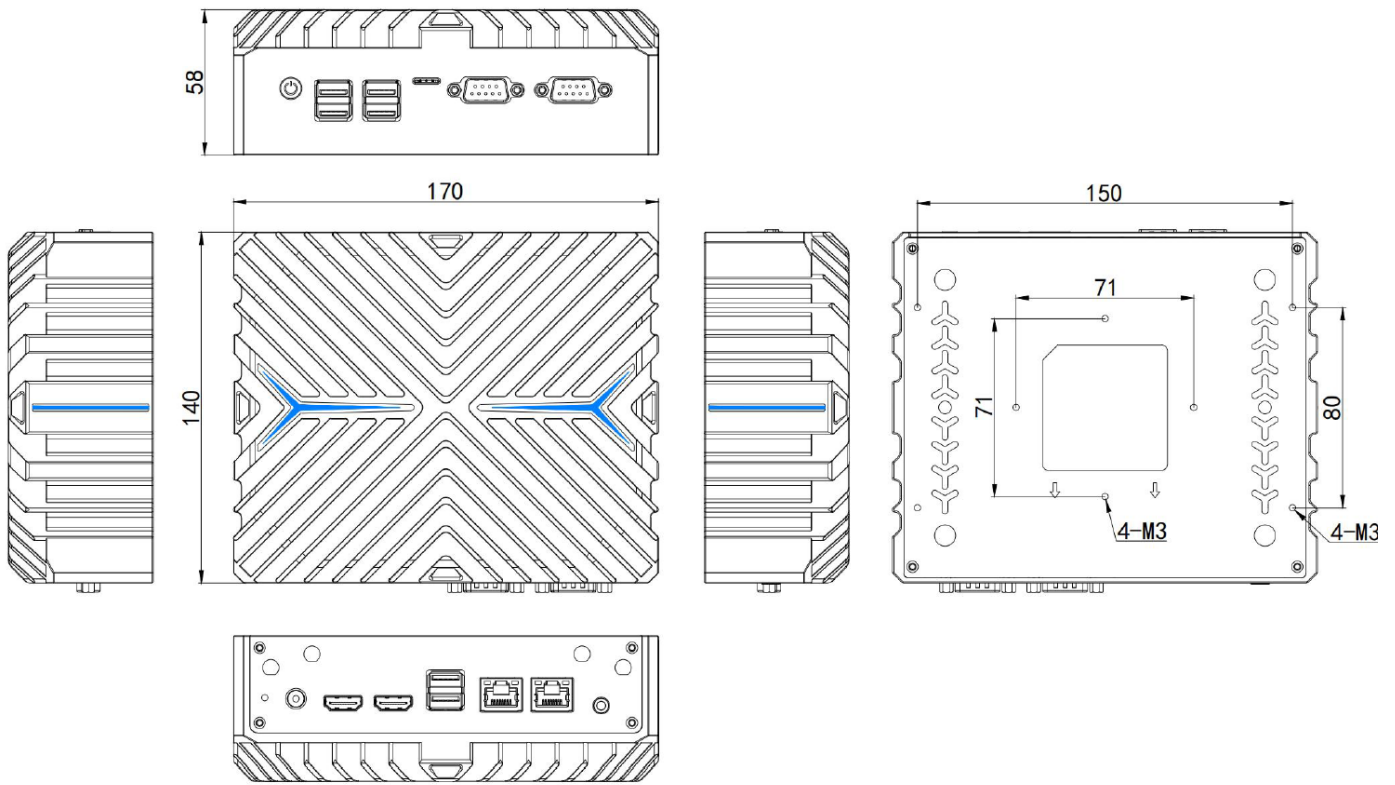
Power in: 12V, DC-in
Max Power : 90W max
Adapter: AC 90~240V to DC 12V @7.5A/90W

MECHANICAL

Material: High-quality aluminum
Dimensions: (W)186x(D)126.5x(H)66mm
Weight: <1,3 Kg
Mounting: Wall Mount + VESA Kit

ENVIRONMENT

Operating temp.: -20°C to +50°C - w/Air Flow
Storage temp.: -20°C to 85°C
Humidity: 10% to 90% RH @40°C, non-condensing
EMC: CE, FCC, RoHS, LVD, ErP Ready



Accessories Included:

- WALL + VESA Mount Kit
- Power Adapter 12V @60W + Power Cable

Compatible OS:

MS WINDOWS (64bit)

- Windows 10
- **Windows 10 Enterprise LTSC (IoT)**
- Windows 11
- Windows 11 Enterprise LTSC (IoT)



LINUX *

- CentOS 8
- Debian 10
- Fedora 34
- Ubuntu 20.04 LTS
- pfSense 2.4.4



** Linux distributions tested with the IPC.*

Order Code:

B04 - 27C - QUANTUM - i7-1255U - RXX - SSDXXX

RAM	R08	(8 GB)	STORAGE	SSD	(2,5")	M2D/SSD128
	R16	(16 GB)		MSD	(mSATA)	M2D/SSD256
	R32	(32 GB)		M2D	(M.2)	Other on Request

SARC ITALIA SRL

Strada Albareto, 503 - 41122 Modena - ITALY
Tel. +39 059 8751076 Fax. +39 059 8751025



Website: www.indatech.it

Email: info@indatech.it